

# Metallized Polypropylene Film Capacitor(Aluminium Can) DC-Link Application

## DPJ

订购基本规格

### EXPLANATION OF ARTICLE CODE

D P J -	1 6 7	K	3 M	C	4 5	F	5
①	②	③	④	⑤	⑥	⑦	⑧

#### ① Capacitor Type

TYPE	DPJ
CODE	DPJ-

#### ② Rated Capacitance (EIA Code)

The rated Capacitance value of the product is indicated with three digits. The first two digits indicate the two most significant digits of the capacitance value, and the third digit gives the number of following zeroes. This gives the capacitance value expressed in picofarads.

Examples:

105	=	1,000,000pF	=	1,000nF	=	1uF
106	=	10,000,000pF	=	10,000nF	=	10uF

#### ③ Capacitance Tolerance

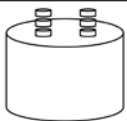
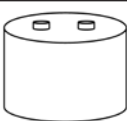
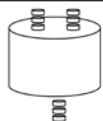
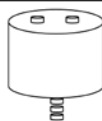
TOLERANCE	±5%	±10%	±20%
CODE	J	K	M

#### ④ Rated Voltage

Code for DC Voltage: (expressed in one digit & one letter code)

VOLTAGE	600V	630V	700V	800V	850V	900V	1000V	1100V	1200V
CODE	2R	2J	2S	2K	2T	2U	3A	3L	3M

#### ⑤ Terminal Configuration

FORM	THREADED STUD	THREADED INSERT	THREADED STUD + MOUNTING	THREADED INSERT + MOUNTING
CODE	A	B	C	J
FORM STYLE				

#### ⑥ Terminal Pitch

Lead SPACE	37.5	41.5	45.0	52.5
CODE	37	41	45	52

#### ⑦ Terminal

TERMINAL	M3	M4	M5	M6	M8	M10	M12
CODE	C	D	E	F	H	J	L

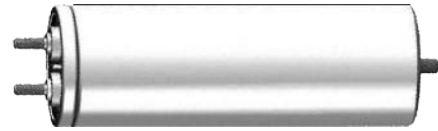
#### ⑧ Terminal Length

FORM	STUD		INSERT	
LENGTH	20.0	15.0	2.0	5.0
CODE	A	B	2	5

# Metallized Polypropylene Film Capacitor(Aluminium Can) DC-Link Application

## DPJ

High capacity DC Filter Capacitor consists of wound metallized polypropylene film, round aluminium casing sealed with epoxy. This capacitor is suitable for use in DC filter circuits, Solar Inverter, Industrial Inverter and able to replace electrolytic capacitors.



### APPLICATIONS

Switching Power supplies .

UPS System.

Power converters.

Solar Inverter.

### FEATURES

Low ESR and high current rating.

High Capacitance.

Excellent stable performance and reliability.

Flame retardant plastic case and epoxy resin.

### SPECIFICATIONS

Operating Temperature:  $-40^{\circ}\text{C} \text{ -- } +85^{\circ}\text{C}$ .

Capacitance Range:  $58\mu\text{F} - 800\mu\text{F}$ .

Capacitance Tolerance:  $\pm 10\%(\text{K})$  .

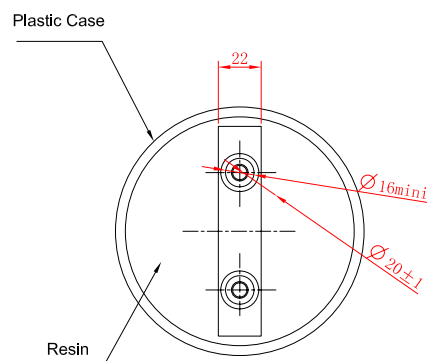
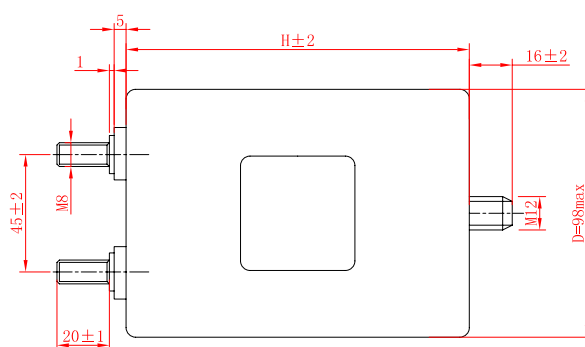
Rated Voltage:  $680\text{VDC} - 1900\text{VDC}$ .

Dielectric Strength:  $2.5 \times \text{rated voltage for } 10\text{s}$   
(terminal to terminal)

Terminals to Case:  $4.0 \text{ KV for } 60 \text{ sec. @ } 25^{\circ}\text{C}$

Max rms Current:  $60 \text{ Arms max}$

Stray Inductance:  $60 - 100 \text{ nH}$



Max torque: M8 : 8.5Nm  
M12 : 15Nm

# Metallized Polypropylene Film Capacitor(Aluminium Can) DC-Link Application

## DPJ

### ■ DIMENSIONS / 产品尺寸 :

SIZE		680 V D C				
R.V. CAP(μF)	OD (mm)	H (mm)	Ls (nH)	I <sub>rms</sub> @100KHz +25°C (A)	ESR @100KHz +25°C mΩ	R <sub>th</sub> (C/W)
800	98	170	100	45	6.5	3.2
650	98	145	85	60	5.6	3.3
380	98	97	60	60	3.6	3.4

### ■ DIMENSIONS / 产品尺寸 :

SIZE		1000 V D C				
R.V. CAP(μF)	OD (mm)	H (mm)	Ls (nH)	I <sub>rms</sub> @100KHz +25°C (A)	ESR @100KHz +25°C mΩ	R <sub>th</sub> (C/W)
460	98	170	100	45	6.1	3.2
390	98	145	85	60	5.2	3.3
230	98	97	60	60	3.5	3.7

### ■ DIMENSIONS / 产品尺寸 :

SIZE		1200 V D C				
R.V. CAP(μF)	OD (mm)	H (mm)	Ls (nH)	I <sub>rms</sub> @100KHz +25°C (A)	ESR @100KHz +25°C mΩ	R <sub>th</sub> (C/W)
320	98	170	100	45	7.2	3.2
270	98	145	85	60	6.1	3.3
160	98	97	60	60	4.1	3.7

### ■ DIMENSIONS / 产品尺寸 :

SIZE		1900 V D C				
R.V. CAP(μF)	OD (mm)	H (mm)	Ls (nH)	I <sub>rms</sub> @100KHz +25°C (A)	ESR @100KHz +25°C mΩ	R <sub>th</sub> (C/W)
125	98	170	100	50	3.8	3.1
100	98	145	85	55	3.4	3.3
58	98	97	60	60	2.3	3.4