

Metallized Polypropylene Film Capacitor(Top Terminal) DC-Link Application

DPG

订购基本规格

EXPLANATION OF ARTICLE CODE

DPG-	207	K	2S	A	45	H	A
①	②	③	④	⑤	⑥	⑦	⑧

① Capacitor Type

TYPE	DPG
CODE	DPG-

② Rated Capacitance (EIA Code)

The rated Capacitance value of the product is indicated with three digits. The first two digits indicate the two most significant digits of the capacitance value, and the third digit gives the number of following zeroes. This gives the capacitance value expressed in picofarads.

Examples:

105	=	1,000,000pF	=	1,000nF	=	1uF
106	=	10,000,000pF	=	10,000nF	=	10uF

③ Capacitance Tolerance

TOLERANCE	±5%	±10%	±20%
CODE	J	K	M

④ Rated Voltage

Code for DC Voltage: (expressed in one digit & one letter code)

VOLTAGE	600V	630V	700V	800V	850V	900V	1000V	1100V	1200V
CODE	2R	2J	2S	2K	2T	2U	3A	3L	3M

⑤ Terminal Configuration

FORM	THREADED STUD	THREADED INSERT
CODE	A	B

⑥ Terminal Pitch

Lead SPACE	37.5	41.5	45.0	52.5
CODE	37	41	45	52

⑦ Terminal

TERMINAL	M3	M4	M5	M6	M8	M10	M12
CODE	C	D	E	F	H	J	L

⑧ Terminal Length

FORM	STUD	INSERT
LENGTH	20.0	5.0
CODE	A	5

Metallized Polypropylene Film Capacitor(Top Terminal) DC-Link Application

DPG

High capacity DC Filter Capacitor consists of wound metallized polypropylene film, round plastic casing sealed with epoxy. This capacitor is suitable for use in DC filter circuits, Solar Inverter, Industrial Inverter and able to replace electrolytic capacitors.



APPLICATIONS

Switching Power supplies .

UPS System.

Power converters.

Solar Inverter.

FEATURES

Low ESR and high current rating.

High Capacitance.

Excellent stable performance and reliability.

Flame retardant plastic case and epoxy resin.

SPECIFICATIONS

Operating Temperature: $-40^{\circ}\text{C} \text{ -- } +85^{\circ}\text{C}$.

Capacitance Range: $33\mu\text{F} \text{--} 220\mu\text{F}$.

Capacitance Tolerance: $\pm 10\%(\text{K})$.

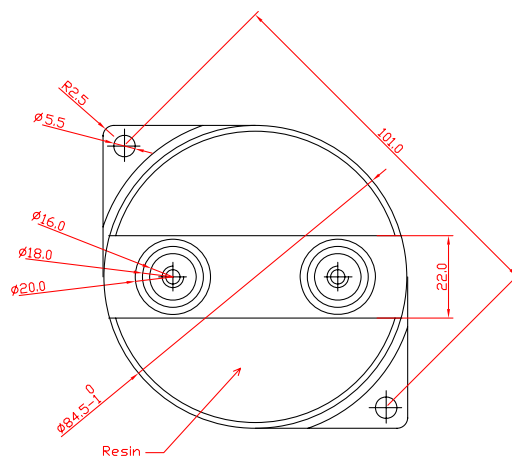
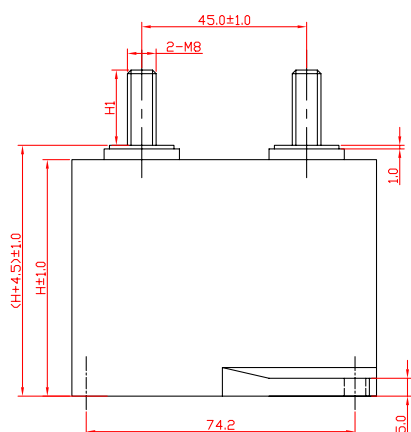
Rated Voltage: $800\text{VDC} \text{--} 1400\text{VDC}$.

Dielectric Strength: $1.5 \times$ rated voltage for 10s
(terminal to terminal)

Max rms Current: $74\text{A } 55^{\circ}\text{C}$

Max rms Voltage: $<230\text{Vac}$

Terminals to Case: $4.0 \text{ KV for } 60 \text{ sec. @ } 25^{\circ}\text{C}$



Metallized Polypropylene Film Capacitor(Top Terminal) DC-Link Application

DPG

■ DIMENSIONS / 产品尺寸 :

SIZE		800 V D C				
R.V. CAP(μF)	H (mm)	ESL nH	Max Irms 55°C (A)	ESR @10KHz mΩ	Thermal Resistance	
					cc (°C/W)	ca (°C/W)
100	40.0	20	74.0	0.5	2.8	5.2
160	51.0	30	73.0	0.8	3.0	4.5
220	64.0	40	72.0	1.0	3.1	4.0

■ DIMENSIONS / 产品尺寸 :

SIZE		1000 V D C				
R.V. CAP(μF)	H (mm)	ESL nH	Max Irms 55°C (A)	ESR @10KHz mΩ	Thermal Resistance	
					cc (°C/W)	ca (°C/W)
66	40.0	20	70.0	0.6	2.8	5.2
100	51.0	30	68.0	0.8	3.0	4.5
140	64.0	40	65.0	1.0	3.1	4.0

■ DIMENSIONS / 产品尺寸 :

SIZE		1200 V D C				
R.V. CAP(μF)	H (mm)	ESL nH	Max Irms 55°C (A)	ESR @10KHz mΩ	Thermal Resistance	
					cc (°C/W)	ca (°C/W)
47	40.0	20	67.0	0.7	2.8	5.2
70	51.0	30	65.0	1.0	3.0	4.5
100	64.0	40	64.0	1.3	3.1	4.0

■ DIMENSIONS / 产品尺寸 :

SIZE		1400 V D C				
R.V. CAP(μF)	H (mm)	ESL nH	Max Irms 55°C (A)	ESR @10KHz mΩ	Thermal Resistance	
					cc (°C/W)	ca (°C/W)
33	40.0	20	64.0	0.8	2.8	5.2
52	51.0	30	60.0	1.1	3.0	4.5
70	64.0	40	59.0	1.4	3.1	4.0