

Metallized Polypropylene Film Capacitor(Aluminium Can) AC Application

APT

订购基本规格

EXPLANATION OF ARTICLE CODE

APT -	107	K	45	W	86	H	A
①	②	③	④	⑤	⑥	⑦	⑧

① Capacitor Type

TYPE	APN
CODE	APN-

② Rated Capacitance (EIA Code)

The rated Capacitance value of the product is indicated with three digits. The first two digits indicate the two most significant digits of the capacitance value, and the third digit gives the number of following zeroes. This gives the capacitance value expressed in picofarads.

Examples:

105	=	1,000,000pF	=	1,000nF	=	1uF
106	=	10,000,000pF	=	10,000nF	=	10uF

③ Capacitance Tolerance


TOLERANCE	±5%	±10%	±20%
CODE	J	K	M

④ Rated Voltage

Code for DC Voltage: (expressed in one digit & one letter code)

VOLTAGE	125V	180V	200V	220V	230V	250V	280V	300V	350V	400V	450V	700V
CODE	12	18	20	22	23	25	28	30	35	40	45	70

⑤ Terminal Configuration

CODE	W
FORM STYLE	

⑥ Can Diameter

DIAMETER	76.0	86.0
CODE	76	86

⑦ Terminal

TERMINAL	M3	M4	M5	M6	M8	M10	M12
CODE	C	D	E	F	H	J	L

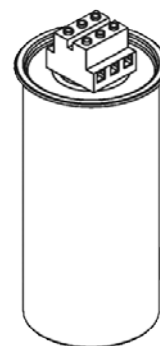
⑧ Terminal Length

LENGTH	20.0	15.0	16.0
CODE	A	B	C

Metallized Polypropylene Film Capacitor(Aluminium Can) AC Application

APT

AC Filtering three phase execution (with FPU) capacitor consists of wound metallized polypropylene film, aluminium casing sealed with epoxy. They are suitable for PFC & AC Filtering Application, UPS System, Solar Inverter and Motor Drives.



■ APPLICATIONS

- PFC & AC Filtering Application
- UPS System
- Solar Inverters
- Motor Drives

■ FEATURES

- Optimized AC Voltage performance
- High Ripple Current.
- High contact reliability
- Flame retardant aluminium case and epoxy resin.

■ SPECIFICATIONS

Operating Temperature:	-40°C - +85°C
Capacitance range:	10.0μF - 600μF
Capacitance Tolerance:	±5%(J), ±10%(K) at 1KHz
Dissipation Factor:	0.02.% max 50 Hz, 25 °C
Rated Voltage(Un):	400VDC - 1100VDC
Rated Voltage(Urms):	250VAC - 780VAC
Rated Insulation Voltage:	3600Vac 10s at 25°C 6000Vac 10s at 25°C
Dielectric Withstand:	2.15 x rated voltage for 10s (terminal to terminal)
Terminals to Case:	4.0 KV 50Hz for 60 sec. @ 25 °C
Insulation Resistance:	>100,000 MΩ x μF
Life Expectancy:	100,000 hours at Ur and 70 °C

Metallized Polypropylene Film Capacitor(Aluminium Can) AC Application

APT

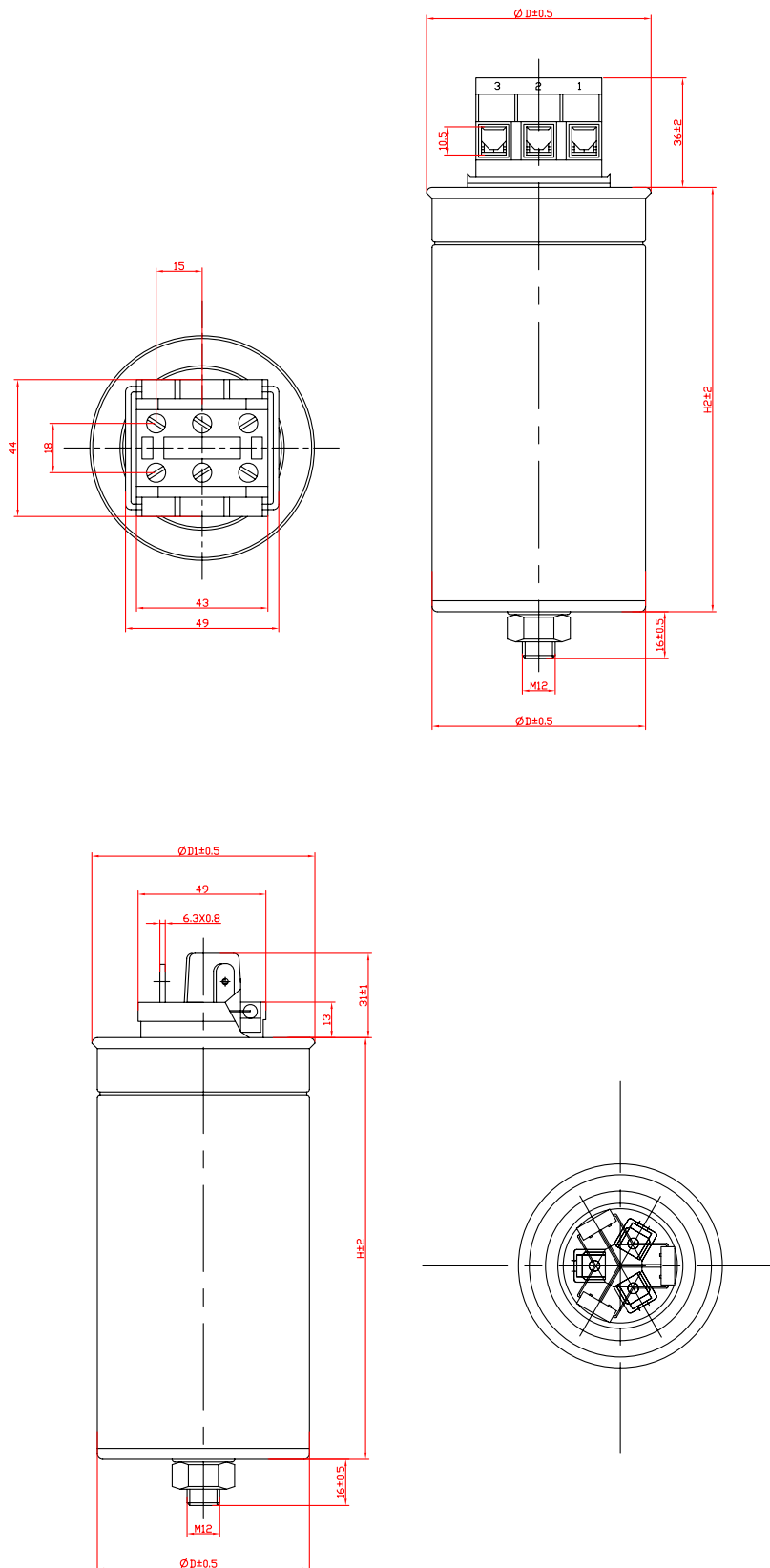
■ DIMENSIONS / 产品尺寸 :

SIZE R.V. CAP(uF)	Q kvar	Freq Hz	I _n (A)	dv/dt (v/us)	Dimensions	
					Slim	Conc.
					3*30.8	5.0
3*46.2	7.5	50	10.4	30	A	H
3*61.6	10.0	50	13.9	30	B	I
3*77	12.5	50	17.4	30	C	J
3*92.4	15.0	50	20.9	30	C	K
3*108	17.5	50	24.3	30	D	L
3*123.2	20.0	50	27.8	30	D	M
3*154	25.0	50	34.7	30	E	N
3*184.8	30.0	50	41.7	30	F	O
3*26.2	5.0	50	6.4	30	A	G
3*39.3	7.5	50	9.6	30	A	H
3*52.4	10.0	50	12.8	30	B	I
3*65.5	12.5	50	16.0	30	C	J
3*78.6	15.0	50	19.2	30	C	K
3*91.7	17.5	50	22.5	30	D	L
3*105	20.0	50	25.7	30	D	M
3*131	25.0	50	32.0	30	E	N
3*157	30.0	50	38.5	30	F	O
3*19.2	5.0	50	5.5	30	A	G
3*29	7.5	50	8.3	30	A	H
3*38.5	10.0	50	11.0	30	B	I
3*48.1	12.5	50	13.7	30	C	J
3*57.7	15.0	50	16.5	30	C	K
3*67.4	17.5	50	19.2	30	D	L
3*77	20.0	50	22.0	30	D	M
3*96.2	25.0	50	27.5	30	E	N
3*115	30.0	50	33.0	30	F	O
3*27.9	12.5	50	10.5	30	B	J
3*33.4	15.0	50	12.6	30	D	K
3*39	17.5	50	14.6	30	D	L
3*44.6	20.0	50	16.7	30	E	M
3*55.7	25.0	50	20.9	30	E	N
3*66.8	30.0	50	25.1	30	F	O

Metallized Polypropylene Film Capacitor(Aluminium Can) AC Application

APT

■ Terminal Style:



Metallized Polypropylene Film Capacitor(Aluminium Can) AC Application

APT

■ Terminal Style:

