

Metallized Polypropylene Film Capacitor(Aluminium Can) AC Application

APM

订购基本规格

EXPLANATION OF ARTICLE CODE

APN -	1 2 7	K	4 5	C	4 5	H	A
①	②	③	④	⑤	⑥	⑦	⑧

① Capacitor Type

TYPE	APM
CODE	APM-

② Rated Capacitance (EIA Code)

The rated Capacitance value of the product is indicated with three digits. The first two digits indicate the two most significant digits of the capacitance value, and the third digit gives the number of following zeroes. This gives the capacitance value expressed in picofarads.

Examples:

105	=	1,000,000pF	=	1,000nF	=	1uF
106	=	10,000,000pF	=	10,000nF	=	10uF

③ Capacitance Tolerance

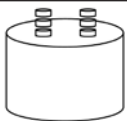
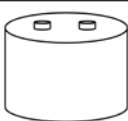
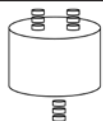
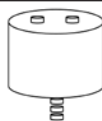
TOLERANCE	±5%	±10%	±20%
CODE	J	K	M

④ Rated Voltage

Code for DC Voltage: (expressed in one digit & one letter code)

VOLTAGE	125V	180V	200V	220V	230V	250V	280V	300V	350V	400V	450V	700V
CODE	12	18	20	22	23	25	28	30	35	40	45	70

⑤ Terminal Configuration

FORM	THREADED STUD	THREADED INSERT	THREADED STUD + MOUNTING	THREADED INSERT + MOUNTING
CODE	A	B	C	J
FORM STYLE				

⑥ Terminal Pitch

Lead SPACE	37.5	41.5	45.0	52.5
CODE	37	41	45	52

⑦ Terminal

TERMINAL	M3	M4	M5	M6	M8	M10	M12
CODE	C	D	E	F	H	J	L

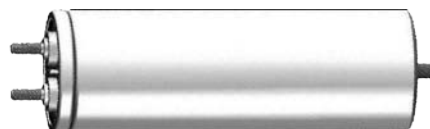
⑧ Terminal Length

FORM	STUD		INSERT	
LENGTH	20.0	15.0	2.0	5.0
CODE	A	B	2	5

Metallized Polypropylene Film Capacitor(Aluminium Can) AC Application

APM

AC Filtering capacitor consists of wound metallized polypropylene film, aluminium casing sealed with epoxy. They are suitable for output AC filtering for power converters, UPS System, Solar Inverter and Motor Drives.



■ APPLICATIONS

Output AC filtering for power converters

UPS System

Solar Inverters

Motor Drives

■ FEATURES

Optimized AC Voltage performance

High Ripple Current.

High contact reliability

Flame retardant aluminium case and epoxy resin.

■ SPECIFICATIONS

Operating Temperature: -40°C - +85°C

Capacitance range: 3.0μF - 600μF

Capacitance Tolerance: ±5%(J), ±10%(K) at 1KHz

Dissipation Factor: 0.1% max 50 Hz, 25 °C

Rated Voltage(Un): 400VDC - 1100VDC

Rated Voltage(Urms): 250VAC - 780VAC

Rated Insulation Voltage: 3600Vac 10s at 25°C

6000Vac 10s at 25°C

Dielectric Withstand: 2.15 x rated voltage for 10s
(terminal to terminal)

Terminals to Case: 3.0 KV 50Hz for 60 sec. @ 25 °C

Insulation Resistance: >100,000 MΩ x μF

Life Expectancy: 100,000 hours at Ur and 70 °C

Metallized Polypropylene Film Capacitor(Aluminium Can) AC Application

APM

■ DIMENSIONS / 产品尺寸 : Fast-on terminals

SIZE		350/250 VAC						
R.V.	OD (mm)	H (mm)	I _{max} (A)	Stud	I _{peak} (A)	I _s (kA)	R _s (mΩ)	L _{self} (nH)
CAP(μF)								
10	40.0	68.0	10	M8	300	0.9	6.9	170
15	40.0	68.0	12	M8	450	1.3	5.6	170
20	40.0	68.0	10	M8	500	1.5	5.4	170
25	40.0	80.0	12	M8	600	1.9	6.8	170
30	53.0	70.0	15	M8	750	2.2	4.6	170
40	53.0	70.0	16	M8	1000	3.0	4.2	170
50	53.0	82.0	16	M8	900	2.8	5.1	190
60	53.0	82.0	16	M8	1100	3.3	4.8	190
70	63.5	82.0	16	M12	1300	3.8	4.6	190
80	63.5	82.0	16	M12	1500	4.4	4.4	190
100	63.5	107.0	16	M12	1200	3.6	6.0	210
150	63.5	132.0	16	M12	1300	4.0	7.0	250

■ DIMENSIONS / 产品尺寸 : M6 screw terminals

SIZE		350/250 VAC						
R.V.	OD (mm)	H (mm)	I _{max} (A)	Stud	I _{peak} (A)	I _s (kA)	R _s (mΩ)	L _{self} (nH)
CAP(μF)								
50	63.5	70.0	25	M12	1250	3.8	3.7	195
60	63.5	70.0	25	M12	1500	4.5	3.6	195
70	63.5	82.0	25	M12	1300	3.8	4.2	220
80	63.5	82.0	25	M12	1500	4.4	4.1	220
100	63.5	107	25	M12	1200	3.6	5.5	225
150	63.5	132	25	M12	1300	4.0	6.3	265
200	63.5	142	25	M12	1600	4.8	6.3	275

■ DIMENSIONS / 产品尺寸 : M8 screw terminals

SIZE		350/250 VAC						
R.V.	OD (mm)	H (mm)	I _{max} (A)	Stud	I _{peak} (A)	I _s (kA)	R _s (mΩ)	L _{self} (nH)
CAP(μF)								
150	75.0	117	35	M12	1800	5.4	2.5	185
200	85.0	117	50	M12	2400	7.2	2.1	185
250	75.0	152	40	M12	2000	6.0	3.0	210
300	75.0	197	50	M12	3600	10.8	1.7	200
400	85.0	197	50	M12	4800	14.4	1.5	200
500	85.0	247	50	M12	4400	13.3	1.9	230
600	85.0	247	50	M12	5300	16.0	1.8	230

■ DIMENSIONS / 产品尺寸 : M10 screw terminals

SIZE		350/250 VAC						
R.V.	OD (mm)	H (mm)	I _{max} (A)	Stud	I _{peak} (A)	I _s (kA)	R _s (mΩ)	L _{self} (nH)
CAP(μF)								
60	63.5	70.0	25	M12	1520	4.6	2.3	170
80	63.5	82.0	25	M12	1480	4.4	2.7	180
100	63.5	107.0	25	M12	1200	3.6	3.8	200
150	75.0	117.0	35	M12	1800	5.4	3.1	210
200	75.0	142.0	35	M12	1777	5.3	3.7	230
250	75.0	152.0	35	M12	2000	6.0	3.8	240
300	75.0	197.0	35	M12	3600	10.8	2.5	240

Metallized Polypropylene Film Capacitor(Aluminium Can) AC Application

APM

■ DIMENSIONS / 产品尺寸 :

Fast-on terminals

SIZE		460/330 VAC						
R.V. CAP(μF)	OD (mm)	H (mm)	I _{max} (A)	Stud	I _{peak} (A)	I _s kA	R _s mΩ	L _{self} nH
10	53.0	70.0	12	M8	300	0.9	6.9	170
15	53.0	70.0	12	M8	450	1.3	5.6	170
20	53.0	70.0	13	M8	600	1.8	5.0	170
25	53.0	70.0	15	M8	750	2.3	4.6	170
30	53.0	82.0	15	M8	650	2.0	5.7	190
40	53.0	82.0	15	M8	850	2.7	5.1	190
50	53.0	107.0	15	M8	700	2.2	7.3	210
60	53.0	107.0	16	M8	850	2.6	6.8	210
70	63.5	107.0	16	M12	1000	3.0	6.4	210
80	63.5	107.0	16	M12	1150	3.5	6.1	210
100	63.5	132.0	16	M12	1050	3.2	7.6	250

■ DIMENSIONS / 产品尺寸 :

M6 screw terminals

SIZE		460/330 VAC						
R.V. CAP(μF)	OD (mm)	H (mm)	I _{max} (A)	Stud	I _{peak} (A)	I _s kA	R _s mΩ	L _{self} nH
50	63.5	82.0	18	M12	920	2.7	4.4	220
60	63.5	107.0	18	M12	720	2.1	6.2	225
70	63.5	107.0	20	M12	840	2.5	5.8	225
80	63.5	107.0	25	M12	960	2.8	5.5	225
100	63.5	132.0	25	M12	880	2.6	6.9	265

■ DIMENSIONS / 产品尺寸 :

M8 screw terminals

SIZE		460/330 VAC						
R.V. CAP(μF)	OD (mm)	H (mm)	I _{max} (A)	Stud	I _{peak} (A)	I _s kA	R _s mΩ	L _{self} nH
100	75.0	117.0	30	M12	1450	4.3	2.8	185
150	75.0	152.0	30	M12	1450	4.3	3.7	210
200	85.0	152.0	40	M12	1900	5.8	3.1	210
250	85.0	197.0	50	M12	3600	10.8	1.7	200
300	85.0	197.0	50	M12	4300	12.9	1.6	200
400	85.0	267.0	50	M12	3850	11.6	2.1	240

■ DIMENSIONS / 产品尺寸 :

M10 screw terminals

SIZE		460/330 VAC						
R.V. CAP(μF)	OD (mm)	H (mm)	I _{max} (A)	Stud	I _{peak} (A)	I _s kA	R _s mΩ	L _{self} nH
50	63.5	82.0	25	M12	1110	3.3	3.0	180
80	63.5	107.0	25	M12	1150	3.5	3.9	200
100	75.0	117.0	30	M12	1440	4.3	3.4	210
150	75.0	152.0	30	M12	1450	4.3	4.5	240
200	75.0	197.0	35	M12	2880	8.6	2.6	240

Metallized Polypropylene Film Capacitor(Aluminium Can) AC Application

APM

■ DIMENSIONS / 产品尺寸 : Fast-on terminals

SIZE		680/480 VAC						
R.V. CAP(μF)	OD (mm)	H (mm)	I _{max} (A)	Stud	I _{peak} (A)	I _s kA	R _s mΩ	L _{self} nH
3	40.0	68.0	6	M8	120	0.4	12.9	170
5	40.0	68.0	8	M8	200	0.6	8.9	170
10	53.0	70.0	10	M8	400	1.2	6.0	170
15	53.0	70.0	15	M8	600	1.8	5.0	170
20	53.0	82.0	15	M8	600	1.7	6.0	190
25	53.0	107.0	15	M8	500	1.4	9.0	210
30	53.0	107.0	15	M8	600	1.7	8.2	210
40	63.5	107.0	16	M12	750	2.3	7.1	210
50	63.5	107.0	16	M12	950	2.9	6.5	210
60	63.5	132.0	16	M12	850	2.6	8.4	250
70	63.5	142.0	16	M12	900	2.7	8.8	265

■ DIMENSIONS / 产品尺寸 : M6 screw terminals

SIZE		680/480 VAC						
R.V. CAP(μF)	OD (mm)	H (mm)	I _{max} (A)	Stud	I _{peak} (A)	I _s kA	R _s mΩ	L _{self} nH
20	63.5	70.0	20	M12	800	2.4	4.3	195
25	63.5	82.0	25	M12	750	2.2	5.2	220
30	63.5	82.0	25	M12	800	2.6	4.8	220
40	63.5	107.0	20	M12	750	2.3	6.6	225
50	63.5	107.0	25	M12	950	2.9	6.0	225
60	63.5	132.0	25	M12	850	2.6	7.7	265
70	63.5	142.0	25	M12	900	2.7	8.0	275

■ DIMENSIONS / 产品尺寸 : M8 screw terminals

SIZE		680/480 VAC						
R.V. CAP(μF)	OD (mm)	H (mm)	I _{max} (A)	Stud	I _{peak} (A)	I _s kA	R _s mΩ	L _{self} nH
60	75.0	117	30	M12	1150	3.4	3.2	185
70	75.0	147	50	M12	2050	6.2	1.7	180
80	75.0	147	50	M12	1350	7.1	1.6	180
100	75.0	197	50	M12	1900	5.7	2.3	200
150	85.0	197	50	M12	2850	8.6	1.9	200
200	85.0	247	50	M12	2850	8.5	2.3	230
250	85.0	267	50	M12	3200	9.6	2.3	240

■ DIMENSIONS / 产品尺寸 : M10 screw terminals

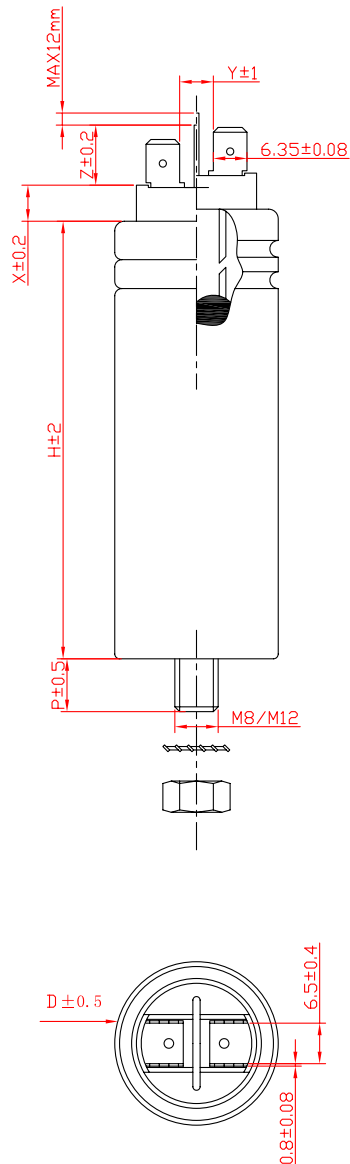
SIZE		680/480 VAC						
R.V. CAP(μF)	OD (mm)	H (mm)	I _{max} (A)	Stud	I _{peak} (A)	I _s kA	R _s mΩ	L _{self} nH
30	63.5	82.0	20	M12	890	2.7	3.4	180
50	63.5	107.0	20	M12	960	2.9	4.3	200
60	75.0	117.0	25	M12	1150	3.5	3.9	210
80	75.0	147.0	35	M12	2368	7.1	2.2	210
100	75.0	197.0	35	M12	1921	5.8	3.1	240

Metallized Polypropylene Film Capacitor(Aluminium Can) AC Application

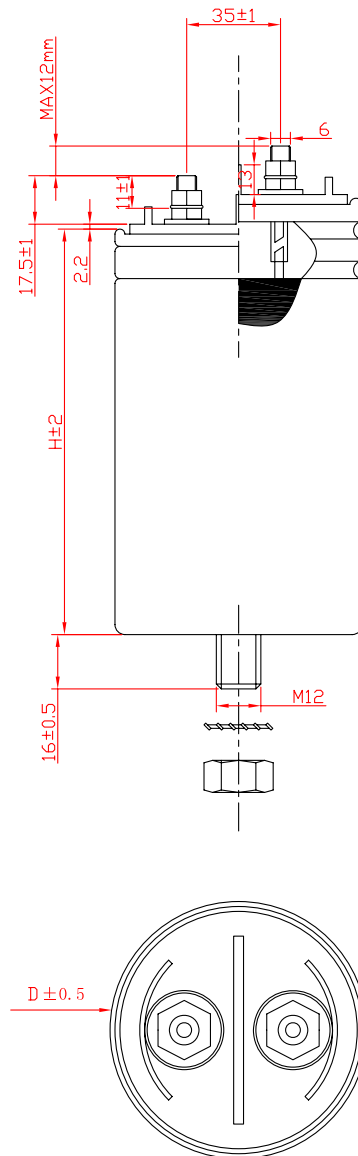
APM

Terminal Style:

Fast-on terminals



M6 screw terminals



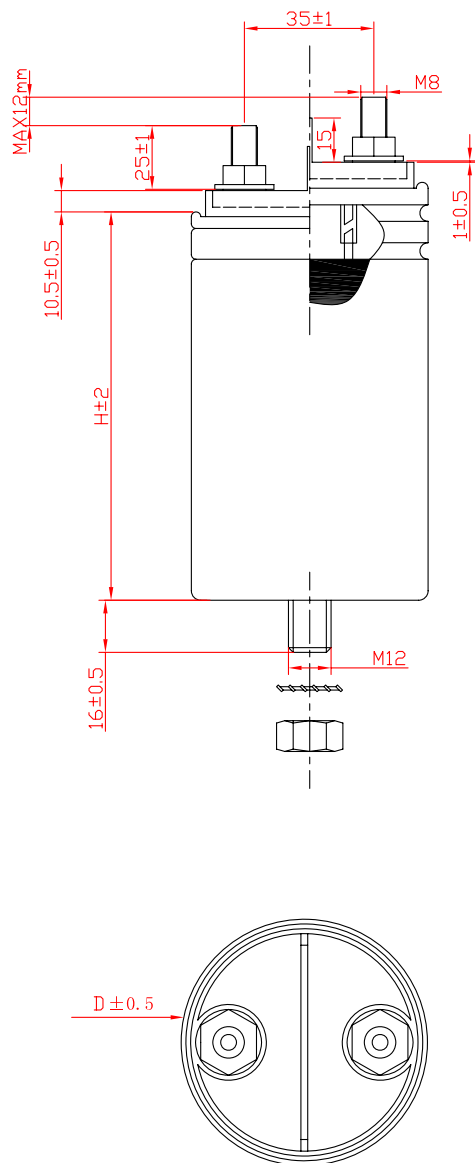
X = 5mm(D < 53mm)	Y = 8.30mm(D ≥ 40mm)
0mm(D ≥ 53mm)	6.30mm(D < 40mm)
Z = 13.5mm(D < 53mm)	P = 10mm(M8)
13mm(D ≥ 53mm)	16mm(M12)

Metallized Polypropylene Film Capacitor(Aluminium Can) AC Application

APM

Terminal Style:

M8 screw terminals



M10 screw terminals

